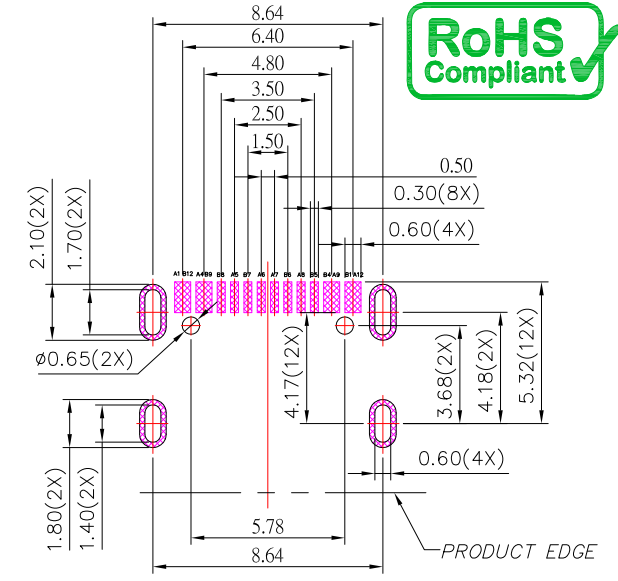




# SBC-160S1UH-20x-S332

鍍層厚度:

Blank	: 1u"
2	: 15u"
3	: 30u"



RECOMMENDED P.C.B. LAYOUT

## SPECIFICATIONS

### Electrical:

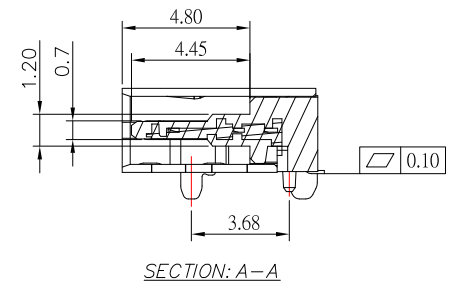
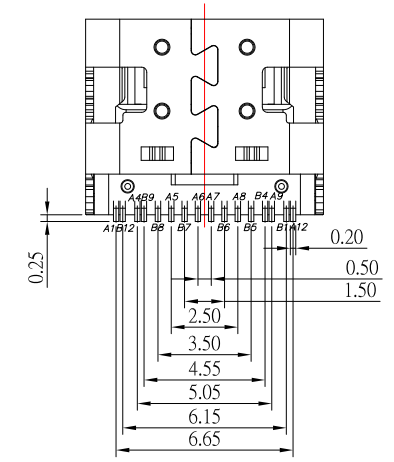
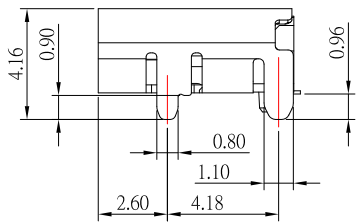
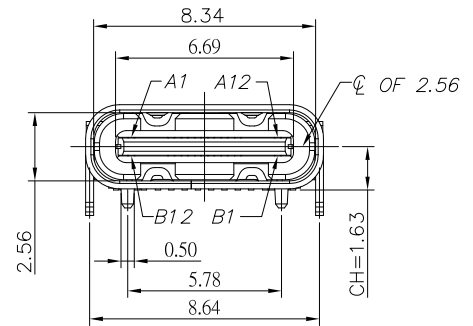
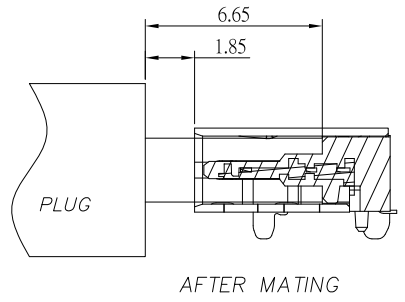
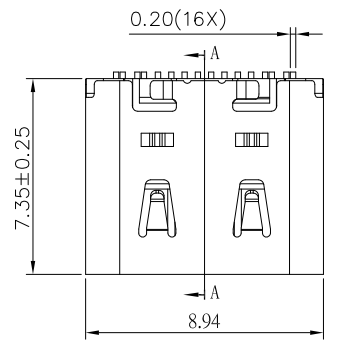
- 1.Rating: 5.0V , 5.0A
- 2.Dielectric Withstand Voltage: 100V AC
- 3.Contact Resistance: 40 mΩ Max
- 4.Insulation Resistance: 100 MΩ Min

### Material:

- 1.Housing: PA9T
- 2.Contact: C18150
- 3.Shell: SUS

### Finish:

- 1.Contact: Plated Gold in Mating Area ;  
Gold Plated on Solder Balls ;  
Nickel under plated overall
- 2.Shell: Nickel under Plated surface layer



## USB TYPE-C PIN ASSIGNMENTS

PIN NUMBER	SIGNAL NAME	PIN NUMBER	SIGNAL NAME
A1	GND	B12	GND
A4	VBUS	B9	VBUS
A5	CC1	B8	SBU2
A6	Dp1	B7	Dn2
A7	Dn1	B6	Dp2
A8	SBU1	B5	CC2
A9	VBUS	B4	VBUS
A12	GND	B1	GND



TOLERANCE UNLESS OTHERWISE STATED:

Up to 5	±0.2
Above 5 ~ 15	±0.3
Above 15 ~ 30	±0.4
Above 30 ~ 50	±0.5
Angle	±0.3°

3RD. ANGEL'S

DRAWN BY:	DATE	MAT'L	TITLE	CONNECTOR
Jack Lu	11/22/23	FINISH	MODLE	USB TYPE C 2.0 板上型有彈片 外殼腳長0.96 高導電銅
CHECKED BY:	DATE	SCALE	DWG NO.	SBC-160S1UH-20x-S332
Jacky Chen	11/22/23	SHEET NO.	PART NO.	SBC-160S1UH-20x-S332
APPROVED BY:	DATE	1 of 1		
Tony Kao	11/22/23			

ITEM NO.	DESCRIPTION	DRAWN	DATE